

MAJOR PROJECTS

INFRASTRUCTURE & TUNNEL / ENVIRONMENT / ENERGY / OIL & GAS



OIL & GAS

OFFSHORE, ONSHORE, CHEMISTRY, PETROCHEMISTRY

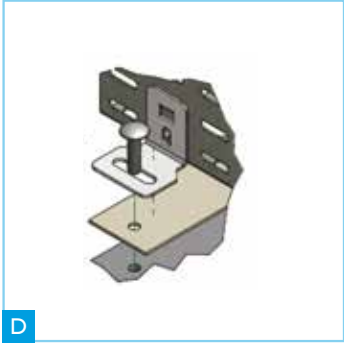
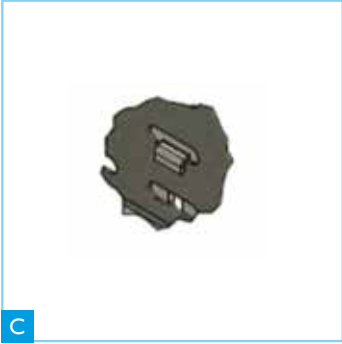
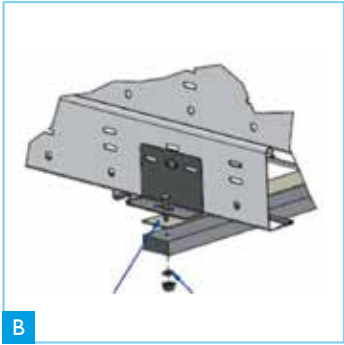
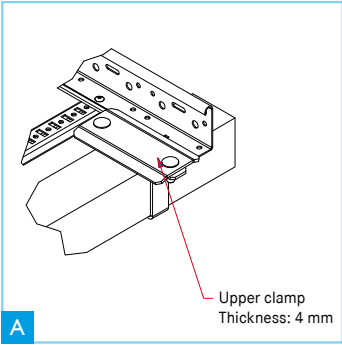
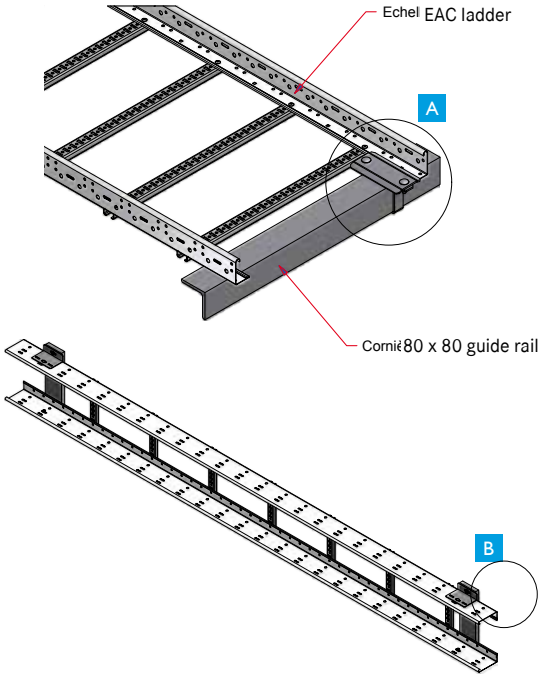


A SELECTION OF OUR PROJECTS:

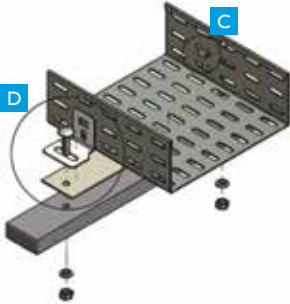
PETROLEUM: OML 58, TOTAL E&P, Nigeria ■ Soroosh & Nowrooz, SHELL, Iran ■ UTBS Hassi Messaoud, SONATRACH, Algeria ■ Moho Bilondo, TOTAL E&P, Congo ■ KG-D6 Oil Field Development, RELIANCE INDUSTRIES, India ■ GirRI FPSO2, TOTAL E&P, Angola ■ Sanaga, PERENCO, Cameroon ■ Hourde Nouss, WESTBURNE CANADA, Algeria ■ Tunu and Peciko, TOTAL E&P, Indonesia ■ Arzew, HYUNDAI ENG and HANWHA, Algeria ■ Kashagan, PETROFAC, Kazakhstan ■ Troll-Offshore, NORSKE SHELL, Norway ■ Ofon Ph2 & LQ, TOTAL E&P, Nigeria ■ Sakhalin II, SHELL, Russia ■ Ehra, ESSO, Nigeria ■ Yadana, TOTAL E&P, Burma ■ Onal Ph 1.2, MAUREL & PROM, Gabon GAS: Fluxys LNG Zeebrugge, SN TECHNIGAZ, Belgium ■ LNG Terminal, GATE ROTTERDAM, Netherlands ■ LNG Terminal, Dunkirk LNG, France ■ Bonny Island, SHELL, Australia ■ Otway, WOODSIDE ENERGY LTD, Australia.

The most commonly used types of support system

Cable ladder mounting systems



Perforated trough mounting



- A: Non-drill solution with clamp
- B: Adjustable bracket solution (adapted for vertical mounting)
- C-D: Nested bracket solution

